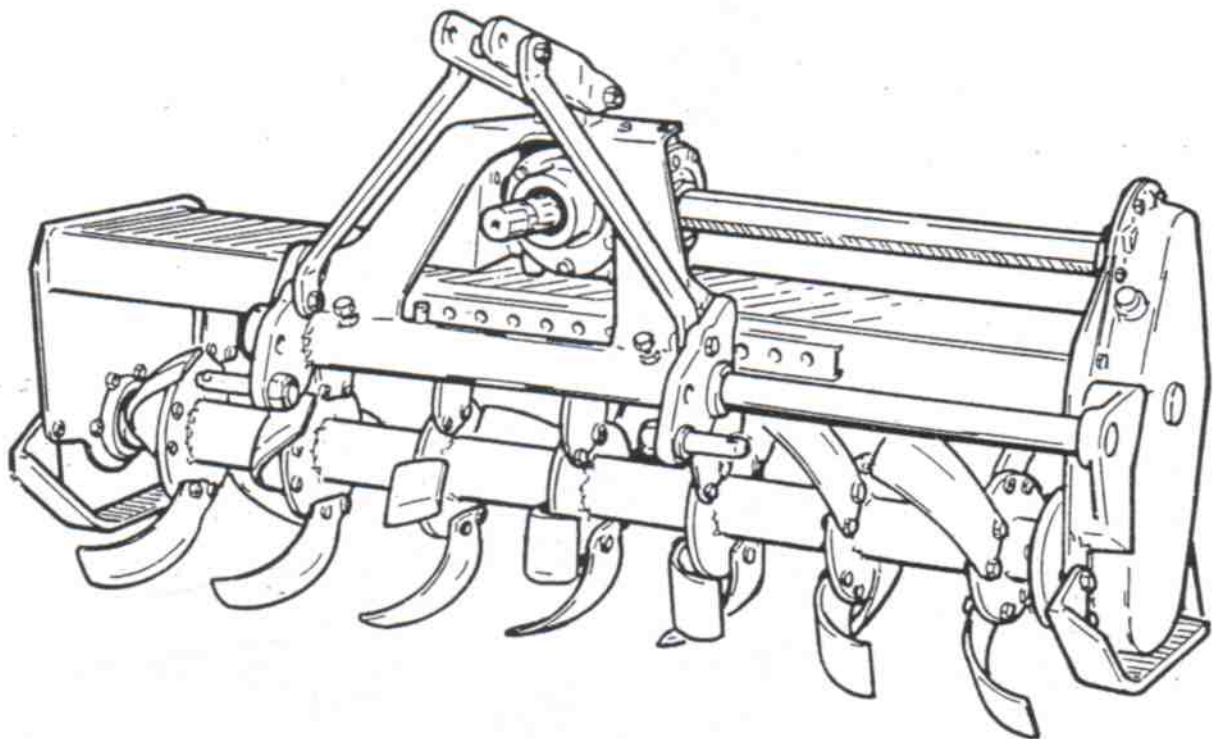


ZL-S / 100·110·120·130·140·160



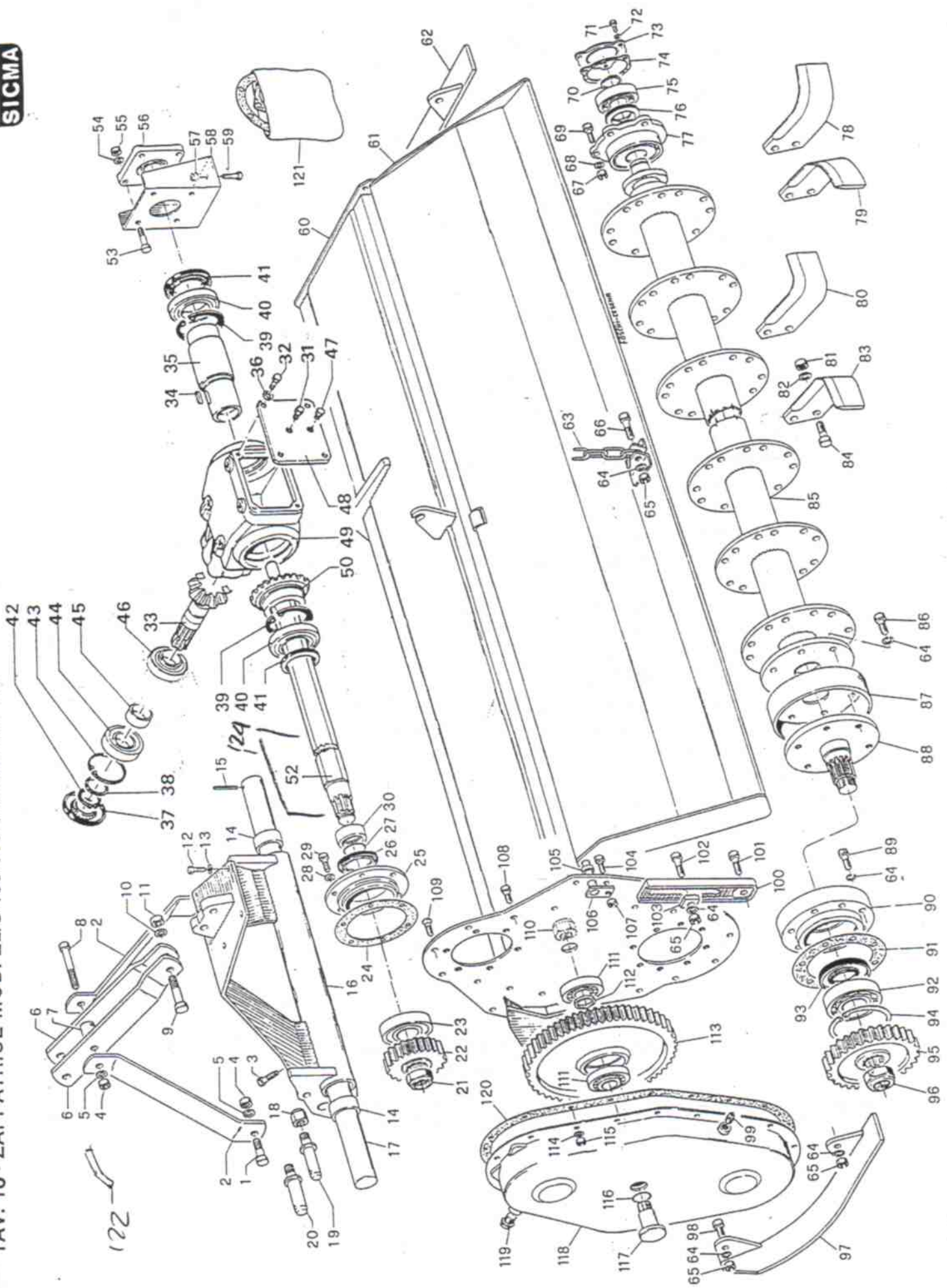
ZAPPATRICE  
HOER  
HACKMASCHINEN  
MACHINE A HOUER

**ZL/S**

TAV. 16 - ZAPPATRICE MOD. ZL/S 100-110-120-130-140-160

RIF.	CODICE	DESCRIZIONE	DESSCRIPTION
1	3141250	Vite	Bolt
2	4838766	Braccio sagomato	Shaped arm
3	3161430	Vite	Bolt
4	3560014	Dado	Nut
5	3970014	Rondella grower	Washer
6	4838765	Braccio 3° punto	Arm for 3rd point
7	4537092	Tube distanziale	Spacer pipe
8	3141210	Vite	Bolt
9	3141460	Vite	Bolt
10	3970014	Rondella Grower	Washer
11	3540014	Dado	Nut
12	3161030	Vite	Bolt
13	3970010	Rondella grower	Washer
14	4648896	Boccola	Bushing
15	3140870	Vite	Bolt
4008849 16	<del>4008882</del>	Telaio scorrevole	Smooth frame <i>Telaio S. CHA</i>
17	4308890	Albero ZL/S 100	Shaft ZL/S 100
17	4308891	Albero ZL/S 110	Shaft ZL/S 110
17	4308892	Albero ZL/S 120	Shaft ZL/S 120
17	4308893	Albero ZL/S 130	Shaft ZL/S 130
17	4308894	Albero ZL/S 140	Shaft ZL/S 140
17	4308895	Albero ZL/S 160	Shaft ZL/S 160
18	3540024	Dado	Nut
19	4218227	Perno Ø 22	Pin Ø 22
20	4218228	Perno Ø 28	Pin Ø 28
21	3640035	Dado autobloccante	Self Locking nut
22	4228706	Ingranaggio conduttore	Driving gear
23	5106308	Cuscinetto	Bearing
24	4788744	Guarnizione	Gasket
25	4708897	Supporto ingr.condotto	Driven gear support
26	6205572	Paraolio	Oil seal
27	6800040	O.R. Rif. 824	O.Ring
28	3970010	Rondella grower	Washer
29	3161020	Vite	Bolt
30	4598898	Boccola per paraolio	Oil seal bushing
31	3442014	Tappo sfiato olio M 14	Plug M 14
32	3390820	Vite M 8X1,25X20	Bolt M 8X1,25X20
33	4721309	Pignone conico Z 13	Bevel pinion Z 13
34	6361435	Chiavetta 14X9X35	Key 14X9X35
35	4591310	Albero esagonale corona	Exagonal shaft
36	3970008	Rondella grower Ø 8	Washer Ø 8

37 Gruppo completo 8008910

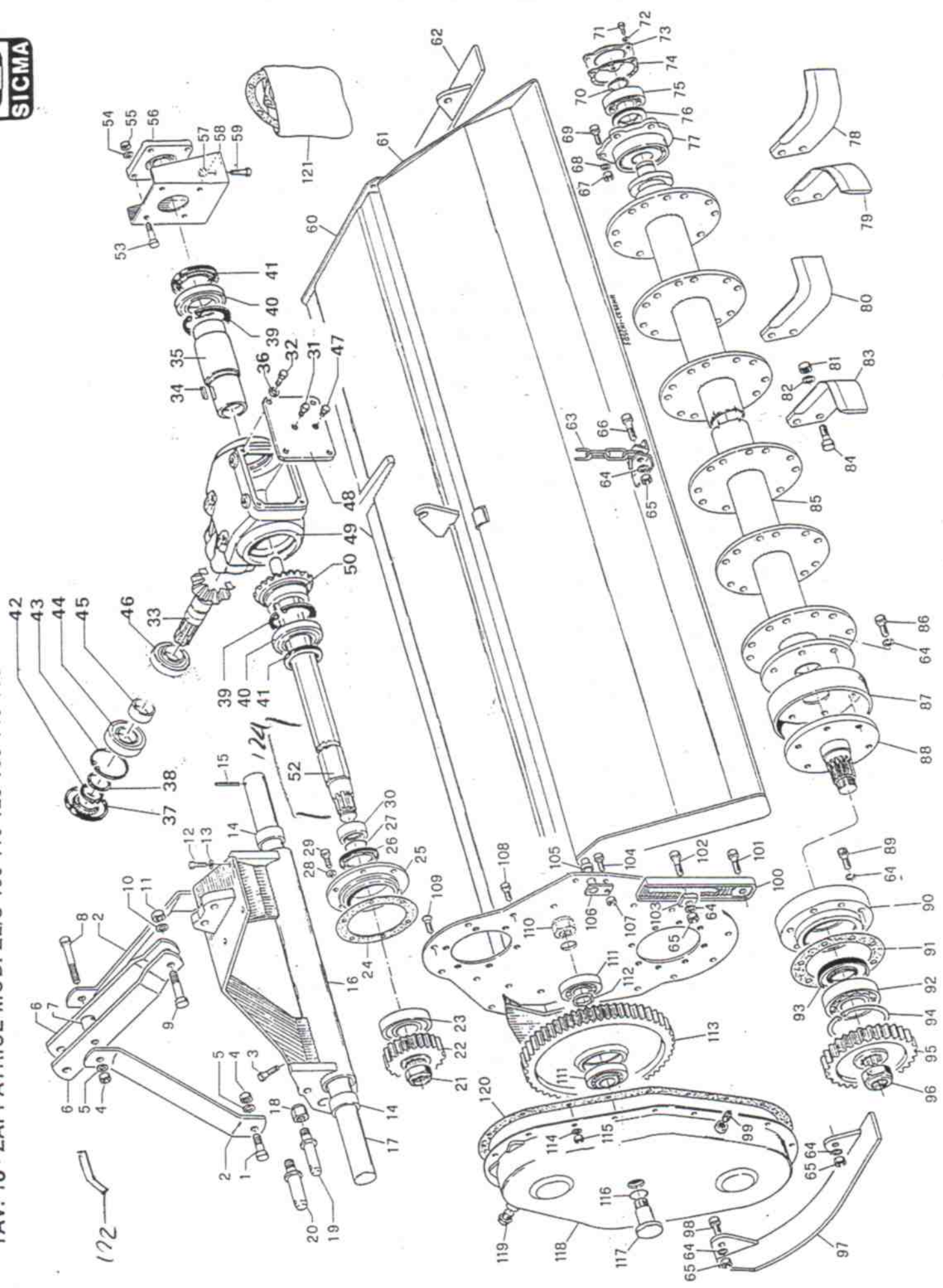


## TAV. 16 - ZAPPATRICE ZL/S 100-110-120-130-140-160

RIF.	CODICE	DESCRIZIONE	DESCRIPTION
37	6203572	Paraolio Ø 35x72x12	Oil seal Ø 35x72x12
38	4138796	Spessore	Laminated shim
39	6310095	Seeger	Circlip
40	5106012	Cuscinetto 6012	Bearing 6012
41	6206095	Paraolio Ø 60X95X10	Oil seal Ø 60X95X10
42	6320035	Seeger Ø 35	Circlip Ø 35
43	6310072	Seeger Ø 72	Circlip Ø 72
44	5106207	Cuscinetto 6207	Bearing 6207
45	4591312	Distanziale pignione	Spacer
46	5730207	Cuscinetto 30207	Bearing 30207
47	3441014	Tappo scarico olio	Oil plug
48	4131313	Coperchio carter	Cover
49	4651307	Carter coppia conica	Gear box
50	4721308	Corona conica Z 19	Ring bevel gear
52	4308883	Albero corona ZL/S 100	Shaft ZL/S 100
52	4308884	Albero corona ZL/S 110	Shaft ZL/S 110
52	4308885	Albero corona ZL/S 120	Shaft ZL/S 120
52	4308886	Albero corona ZL/S 130	Shaft ZL/S 130
52	4308887	Albero corona ZL/S 140	Shaft ZL/S 140
52	4308888	Albero corona ZL/S 160	Shaft ZL/S 160
53	3161030	Vite	Bolt
54	3970010	Rondella grower	Washer
55	3560010	Dado	Nut
56	5000030	Supporto flangiato	Support
57	3560010	Dado	Nut
58	4038899	Supporto albero corona	Shaft support
59	3161030	Vite	Bolt
60	4008900	Telaio ZL/S 100	Frame ZL/S 100
60	4008901	Telaio ZL/S 110	Frame ZL/S 110
60	4008902	Telaio ZL/S 120	Frame ZL/S 120
60	4008903	Telaio ZL/S 130	Frame ZL/S 130
60	4008904	Telaio ZL/S 140	Frame ZL/S 140
60	4008905	Telaio ZL/S 160	Frame ZL/S 160
61	4008753	Coperchio cap.ZL/S 100	Bonnet ZL/S 100
61	4008754	Coperchio cap.ZL/S 110	Bonnet ZL/S 110
61	4008755	Coperchio cap.ZL/S 120	Bonnet ZL/S 120
61	4008756	Coperchio cap.ZL/S 130	Bonnet ZL/S 130
61	4008757	Coperchio cap.ZL/S 140	Bonnet ZL/S 140
61	4008758	Coperchio cap.ZL/S 160	Bonnet ZL/S 160
62	4008728	Slitta lato dx	Right skid
63	6705819	Catena	Chain
64	3970014	Rondella grower	Washer



TAV. 16 - ZAPPATRICE MOD. ZL/S-100-110-120-130-140-160



RIF.	CODICE	DENOMINAZIONE	DESCRIPTION	BENENNUNG	DESIGNATION
65	3540014	Dado	Nut	Mutter	Ecrou
66	3141440	Vite	Bolt	Schraube	Boulon
67	3560010	Dado	Nut	Mutter	Ecrou
68	3970010	Rondella Grower	Washer	Scheibe	Rondelle
69	3161030	Vite	Bolt	Schraube	Boulon
70	6320035	Anello Seeger	Circlip	Seegersicherung	Bague d'arrêt
71	3160615	Vite	Bolt	Schraube	Boulon
72	3970006	Rondella Grower	Washer	Scheibe	Rondelle
73	4148716	Coperchio	Cover	Deckel	Couvercle
74	4788743	Guarnizione	Gasket	Dichtung	Garniture
75	5106207	Cuscinetto	Bearing	Lager	Roulement
76	6204862	Paraolio (60x62)	Oil seal	Oelabdichtung	Pare-huile
77	4648709	Supporto	Support	Halterung	Support
78	4818814	Zappa curva destra L811281	Right blade	Rechtes messer	Couteau droite
79	4818814	Zappa curva sinistra L811281	Left blade	Linkes messer	Couteau gauche
80	4818814	Zappa a squadra destra L811283	Right square blade	Rechtes winkelmesser	Couteau droite à équerre
81	3500012	Dado	Nut	Mutter	Ecrou
82	3970012	Rondella Grower	Washer	Scheibe	Rondelle
83	4818812	Zappa a squadra sinistra L811281	Left square blade	Linkes winkelmesser	Couteau gauche à équerre
84	3101235	Vite	Bolt	Schraube	Boulon
85	4008731	Rotore ZL/S 100	Blades holder rotor ZL/S 100	Rotor ZL/S 100	Rotor ZL/S 100
85	4008732	Rotore ZL/S 110	Blades holder rotor ZL/S 110	Rotor ZL/S 110	Rotor ZL/S 110
85	4008733	Rotore ZL/S 120	Blades holder rotor ZL/S 120	Rotor ZL/S 120	Rotor ZL/S 120
85	4008734	Rotore ZL/S 130	Blades holder rotor ZL/S 130	Rotor ZL/S 130	Rotor ZL/S 130
85	4008735	Rotore ZL/S 140	Blades holder rotor ZL/S 140	Rotor ZL/S 140	Rotor ZL/S 140
85	4008736	Rotore ZL/S 160	Blades holder rotor ZL/S 160	Rotor ZL/S 160	Rotor ZL/S 160
86	3161230	Vite	Bolt	Schraube	Boulon
87	4138040	Coperchio parapolvere	Dust cover	Deckel	Para-poussière
88	4728022	Mozzo	Hub	Nabe	Moyeu
89	3261220	Vite	Bolt	Schraube	Boulon
90	4648071	Supporto	Support	Halterung	Support
91	4788217	Guarnizione	Gasket	Dichtung	Garniture
92	5106309	Cuscinetto	Bearing	Lager	Roulement
93	6105090	Paraolio	Oil seal	Oelabdichtung	Pare-huile
94	6310100	Anello Seeger	Circlip	Seegersicherung	Bague d'arrêt
95	4728708	Ingranaggio condotto	Driven gear	Zahnrad	Engrenage
96	3640035	Dado autobloccante	Self looking nut	Selbstsperrmutter	Ecrou autobloquant
97	4008729	Slitte lato sinistro	Left skid	Linkes schlitten	Glissière gauche
98	3161230	Vite	Bolt	Schraube	Boulon
99	3440014	Tappo livello olio	Oil level plug	Oelstopfen	Bouchon de l'huile
100	4708037	Asta regolazione	Adjusting rod	Regulierstange	Barre de réglage
101	3161235	Vite	Bolt	Schraube	Boulon
102	3161245	Vite	Bolt	Schraube	Boulon
103	4708036	Nottolino di arresto	Ratchet	Gegenklinke	Griffe d'arrêt
104	3160820	Vite	Bolt	Schraube	Boulon
105	4538808	Tubo distanziale	Spacer	Distanzrohr	Entretoise
106	4008776	Perno cop. cappotta ZL/S 100	Bonnet pin ZL/S 100	Bolzen deckel ZL/S 100	Axe capot ZL/S 100
106	4008777	Perno cop. cappotta ZL/S 110	Bonnet pin ZL/S 110	Bolzen deckel ZL/S 110	Axe capot ZL/S 110
106	4008778	Perno cop. cappotta ZL/S 120	Bonnet pin ZL/S 120	Bolzen deckel ZL/S 120	Axe capot ZL/S 120
106	4008779	Perno cop. cappotta ZL/S 130	Bonnet pin ZL/S 130	Bolzen deckel ZL/S 130	Axe capot ZL/S 130
106	4008780	Perno cop. cappotta ZL/S 140	Bonnet pin ZL/S 140	Bolzen deckel ZL/S 140	Axe capot ZL/S 140
106	4008781	Perno cop. cappotta ZL/S 160	Bonnet pin ZL/S 160	Bolzen deckel ZL/S 160	Axe capot ZL/S 160
107	3560008	Dado	Nut	Mutter	Ecrou
108	3360820	Vite	Bolt	Schraube	Boulon
109	3160820	Vite	Bolt	Schraube	Boulon
110	3640024	Dado autobloccante	Self looking nut	Selbstsperrmutter	Ecrou autobloquant
111	5730306	Cuscinetto	Bearing	Lager	Roulement
112	4538935	Distanziale	Spacer	Distanzstück	Entretoise
113	4728707	Ingranaggio rinvio	Intermediate gear	Zahnrad	Engrenage
114	3970008	Rondella Grower	Washer	Scheibe	Rondelle
115	3560008	Dado	Nut	Mutter	Ecrou
116	6800030	Anello O.R. rif. 217	O. ring 217	Dichtring 217	Bague d'étanchéité 217
117	4208774	Perno ingranaggio rinvio	Intermediate gear pin	Bolzen Zahnrad	Axe engrenage
118	4008702	Coperchio trasmissione	Drive cover	Deckel übersetzung	Couvercle
119	3440022	Tappo olio	Oil plug	Oelstopfen	Bouchon de l'huile
120	4788745	Guarnizione	Gasket	Dichtung	Garniture
121	4008807	Sacchetto guarnizioni	Gasket set	Dichtungssatz	Série garnitures
122	4301583	PERNO 3 PUNTO SUP			
123	6351201	COPPIGIA A R. Ad 80			
12A	4001400	PROTEZIONE ALBERO	ZL/S - 80		
12A	4001401		ZL/S - 90		
12A	4001402		ZL/S - 100		
12A	4001403		ZL/S - 110		
12A	4001404		ZL/S - 120		
12A	4001405		ZL/S - 130		
12A	4001406		ZL/S - 140		
12A	4001407		ZL/S - 160		