

Sunburst Box Scraper Blade Owners/Operators Manual

Remember Safety First



Think Before You Act

OWNERS/OPERATORS MANUAL

SPECIFICATIONS:

WIDTH:	4', 5', & 6'
BLADES:	BOLT ON
HITCH:	3 POINT, CATEGORY I
NUMBER OF SHANKS:	4' – 4 5' – 5 6' – 6
SHANK ASSEMBLY:	1/2" x 2 1/2" x 15" WITH PRESSED ON POINT
WEIGHT	4' – 247 LBS. 5' – 375 LBS. 6' – 400 LBS.

ASSEMBLY:

The Sunburst Box Scraper Blade comes completely assembled from the factory. There is no further assembly required by the dealer or the customer upon arrival.

BLADE AND TRACTOR PREPARATION:

The Sunburst Box Scraper Blade is designed for tractor 25 – 45 HP with Category I hitches.

TRANSPORTING:

Local government regulations are applicable to this and all farm equipment. When transporting the box blade on a public road, use warning lights on tractor as well as SMV signs, reflectors and other warning devices to ensure proper warning to operators of other vehicles.

Raise the box blade as high as possible above the ground. This will make it easier for other vehicles to see as well as maintaining a safe clearance from the ground.

Never transport this blade at a high rate of speed. The weight of the blade, especially on rough fields or roads can cause the tractor to bounce giving the opportunity for damage to the tractor or implement to occur and the possibility of bodily injury.

Always allow extra clearance when turning the tractor while blade is attached. Remember that the overall length of the tractor is increased when the blade is attached.

ATTACHING AND DISCONNECTING:

When attaching the box blade to the tractor, connect the lift arms to the implement pins and secure in place with retaining pins. Connect the topline to the upright A-frame and adjust the topline until the blade is level.

When removing the box blade, lower it to the ground; place tractor in low gear, lock the brakes and shut off the engine. Be sure to keep your hands and feet from under the blade at all times.

OPERATION:

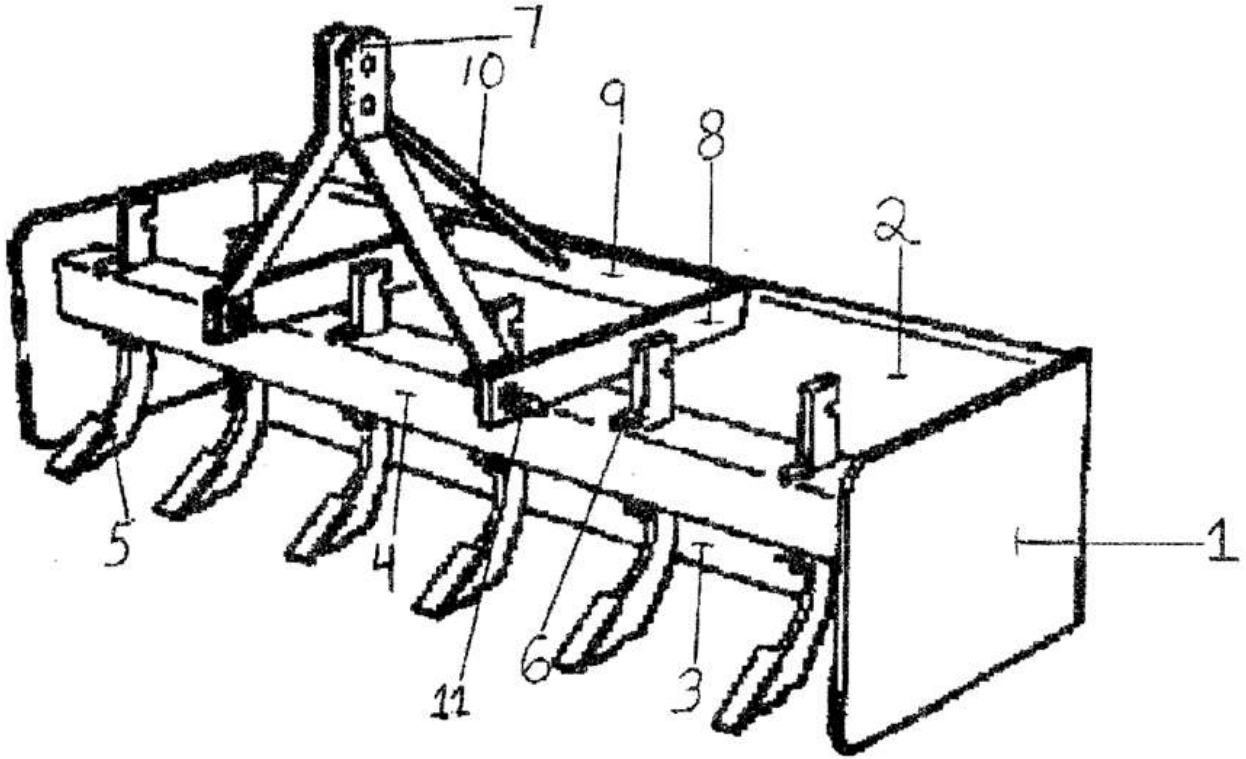
The Sunburst Box Scraper Blade is designed to dig up dirt and other material and redistribute the material to another location. The adjustable shanks on the front of the box blade may be raised or lowered to 2 positions at approximately 3" increments by removing the positioning pin. This will allow the operator to dig up more soil if the ground is hard or simply scoop up more loose material.

A greater degree of angle on the scarifier may be utilized by shortening the topline and allowing the shanks to dig deeper.

To avoid excessive swaying of the box blade, use stabilizer bars or check chains.

Once the material has been loosened with the scarifiers, it can be dumped in one spot by stopping the tractor and raising the lift on the tractor. If a person desires the material to be distributed over a larger area, begin to raise the tractor lift very slowly while moving forward.

Sunburst Box Scraper Blade



DRAWING #	DESCRIPTION
1	END PLATE STEEL
2	PLATE STEEL
3	FRONT & REAR CUTTING BLADE
4	SHANK HOLDER
5	BOX BLADE SHANKS W/ POINTS
6	SHANK WEDGES W/ HAIR PINS
7	SB A-FRAME 3/8" x 3" x 24" W/ 2 HOLES FLAT BAR
8	SB 1 HOLE HITCH ARM 3/8" x 3" x 24"
9	3" x 3" x 3/16" x 24" HITCH BACK ANGLE
10	1 1/2" x 1 1/2" x 3/16" x 24" HITCH BACK BRACE ANGLE
11	HITCH PIN